

PROMET

DIGITAL SAFE LOCK PLS-2.2

USER MANUAL

1 Main Components

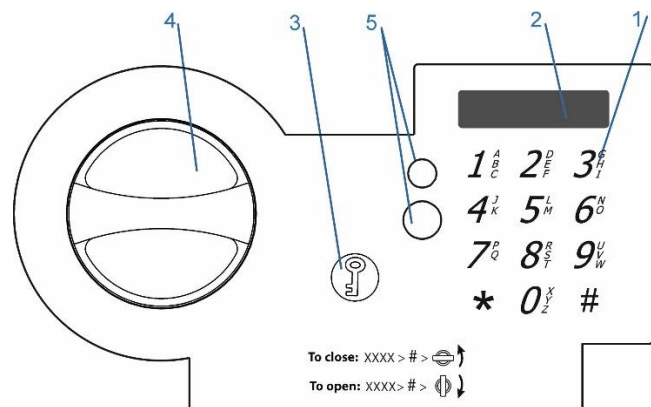


Fig. 1.1

1 – Keypad, 2 – Display, 3 – Cover for emergency opening, 4 – Turning handle, 5 – Backup power contacts

2 Definitions

2.1 Master Code [PIN1]

A set of 6 numbers which opens and closes the lock and allows to operate the settings.



Before using the safe, please change the factory Master code (see par.4). It is strongly recommended to keep the master code safe from unauthorized people.



Factory Master Code:
1-2-3-4-5-6

2.2 User Code [PIN2]

A set of numbers from 4 to 6 digits which opens/closes the lock and has limited functions to change the settings. Assigned by the user when the safe is closed.



A new user code is assigned by the user each time the safe is closed.

2.3 Signals

[!D]¹ Short single acoustic signal with indication of the entered character on the display (2) – confirmation of the button pressing on the keypad.



You can delete an incorrectly entered character using the key «*».

[!D]² Short double acoustic signal with indication of the entered character on the display (2) – confirmation of successfully finished operation.

[!D]³ Short triple acoustic signal with indication «ERROR» on the display (2) – error message on the user's actions

[!D] Indication «BA-LO» on the display (2) – low battery message. Please see par.5.2 how to change the battery.

3 Main Functions

3.1 Opening the Lock

3.1.1 Opening the New Lock

[#] [1] [2] [3] [4] [5] [6] [#]

3.1.2 Opening with Master Code

[#] [PIN1] [#]

3.1.3 Opening with User Code

[PIN2] [#]

If the code is right, there will be indication «OPEN» on the display (2) and it will be possible to

open the door within 5 seconds by turning the handle (4) clockwise.



If you enter a wrong code three times in a row, the lock will be blocked for 5 minutes. This will be indicated via «BLOC» indication on the display (2)

3.2 Closing the Lock

Closing the Lock:

[PIN2] [#]

Close the door and turn the handle (4) anti-clockwise until it stops. There will be «CLOSED» indication on the display (2)



If within 5 seconds after entering the code the mechanism of the locking bolts of the safe is not activated, the lock will remain open, the code will not be stored and the closing procedure must be restarted.

4 Service Functions



It is strongly recommended to change the settings of the lock with the door opened. After code changing, the lock shall be tested several times with the secure storage unit's door in open state.



The service functions will be unavailable in case of low power supply which is indicated by the signals, please refer to par.2.2, [!D].

4.1 Changing the Master Code [PIN1]

[#] [#] [PIN1] [#] [new PIN1] [#]
[repeat new PIN1] [#]

Checking the New Master Code:

[#] [new PIN1] [#]

4.2 Delete the User Code [PIN2]



Before deleting the User Code [PIN2] default factory setting of Master code [PIN1] have to be changed (see par.4.1).

For code changing, use code change button [But] which is located on the back door of the safe on the lock (Fig. 4.1). Press and hold the button until the locking mechanism is activated (see Fig.4.1). The display will show «OPEN», and remain on for 3 seconds. The device then will go into standby mode.

Turn the handle (4) clockwise and open the lock.

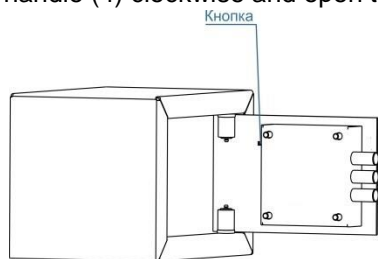


Fig.4.1

5 Servicing



The battery supplied with the lock is designed for the initial check of operability. Before using the lock, it is recommended to change battery on new one.

5.1 Checking The Battery Level

At any time, the battery level can be checked by pressing the "*" button twice.

- There are two possible states of the batteries:
- BAT-HI** when the voltage falls to 7.2V;
- BAT-LOW** when the voltage falls below 7.2V.



With the battery off, the code remains in memory.

5.2 Changing the Battery

- The battery is located on the inner side of the door.
- Open the cover of the battery box (Fig.5.1).

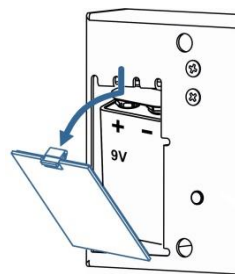


Fig. 5.1

- Change battery on new one (9V, Alkaline, type 6LF22, 6LR61, 6LP3146).
- Take the cover back to its location.

5.3 Opening the lock when the Battery is Flat

- Take out the cover for emergency opening (5) (Fig.5.2).

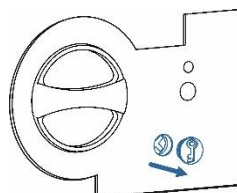


Fig. 5.2

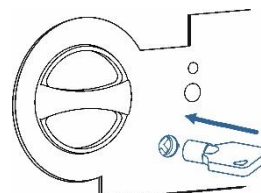


Fig. 5.3

- Insert the key against the stop (key's flag on the right) and turn it anti-clockwise until it stops (Fig. 5.3).
- Open the door and change the discharged battery, see par. 5.1.

5.4 Opening the lock when the Battery is Discharged

- Take a new battery (9V, Alkaline, type 6LF22, 6LR61, 6LP3146).
- Press the new battery to emergency power pins (6) and fix it in this position (see Image 5.4)

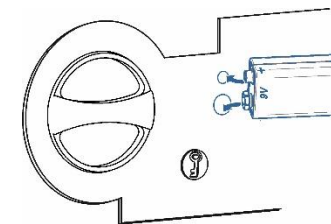


Fig. 5.4

- Enter the valid code on the keypad (1).
- Disconnect the emergency battery, turn the handle and open the door and change the discharged battery, see par. 5.1.